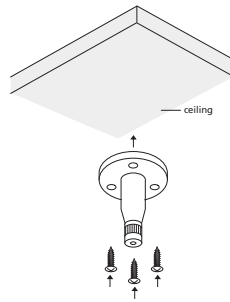
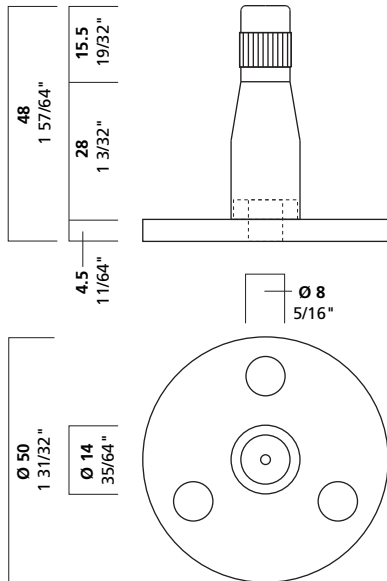


# MF35S



## °MF35S

MF35S is useful either as a ceiling fastener or a midway shelf holder. On the ceiling, the base plate allows for 3 screws, and extra holding power. Under a shelf, the screws can fasten into up to 1" thick material.



## ° Product Information

### cable size

1/8" 3.0 mm

4

### maximum weight

220 lbs. 100 kg

### function

ceiling: wood blocking

midway: wooden shelf, plexiglass

### installation instructions

Attach to ceiling with three 1/4" screws appropriate for ceiling material. Use anchor if necessary.

call for availability

## Arakawa Hanging Systems

2505 SE 11th Avenue, Suite 122

Portland, Oregon 97202

phone: 503.236.0440

fax: 503.236.0427

toll free: 888.272.5292

[www.arakawagrip.com](http://www.arakawagrip.com)



Copyright © 2007 Arakawa & Co., Ltd. All rights reserved.  
Arakawa products are covered by U.S. and foreign patents, issued and pending. Specification and price change privileges reserved.