

MF27S



°MF27S

MF27S is intended for use in suspended ceilings, attached either to the concrete structure or to Unistrut® or similar. The stud is threaded with 3/8-16 thread. Hollow structure allows excess cable to be inserted through part and into ceiling cavity (depending on structure).

° Product Information

cable size

1/8" 3.0 mm

4

maximum weight

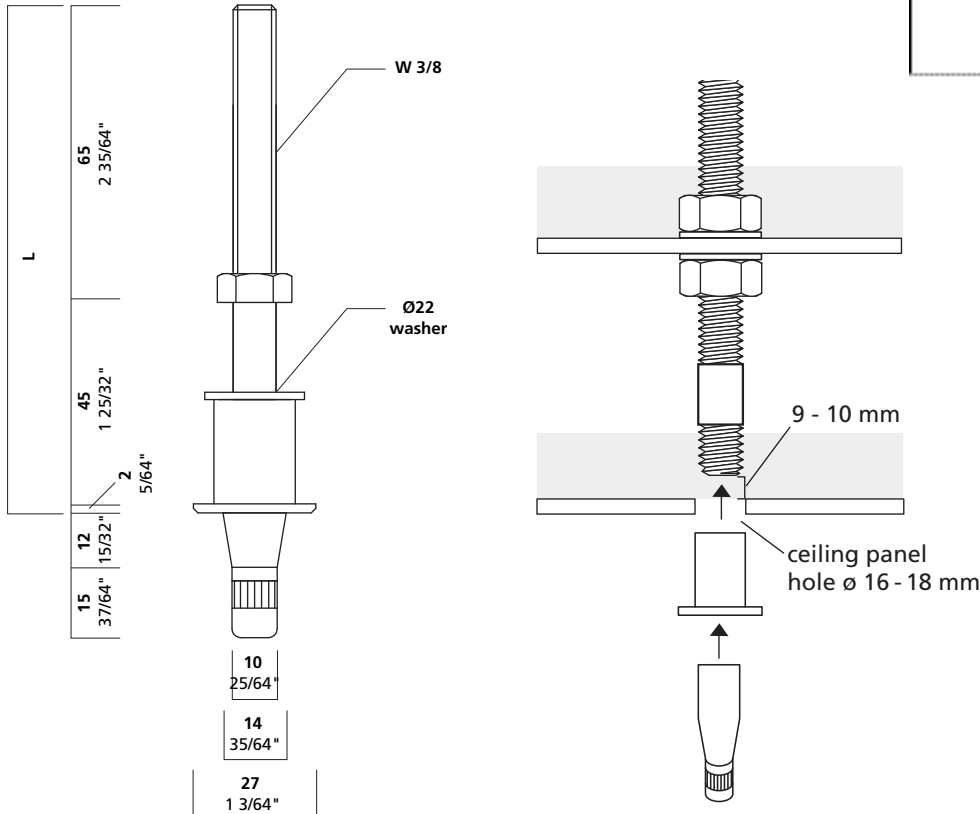
220 lbs. 100 kg

function

ceiling

installation instructions

Separate MF27S into 3 parts: bolt, flange and gripper. Fix the bolt to reinforcement material, fasten the flange to the bolt, and then screw in the gripper. Distance from surface of ceiling panel to bolt is 9-10 mm.



Arakawa Hanging Systems

2505 SE 11th Avenue, Suite 122
 Portland, Oregon 97202
 phone: 503.236.0440
 fax: 503.236.0427
 toll free: 888.272.5292

www.arakawagrip.com



Copyright © 2007 Arakawa & Co., Ltd. All rights reserved. Arakawa products are covered by U.S. and foreign patents, issued and pending. Specification and price change privileges reserved.