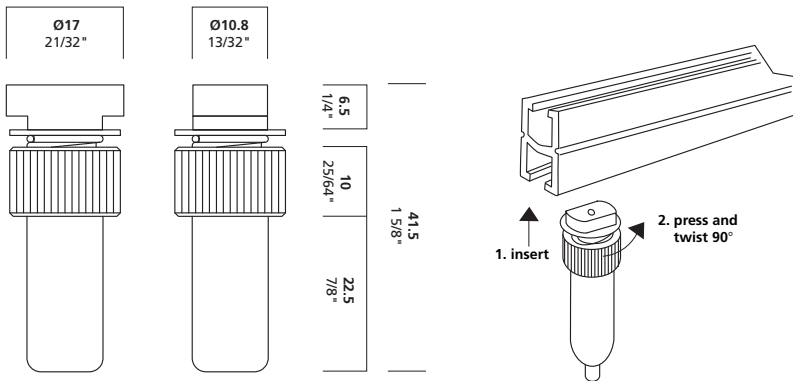


HJ1B



°HJ1B

The HJ1B is Arakawa's top rail connector available for hanging cable perpendicular to the VH2 rail system. This clip can be attached at any point on the rail, without sliding it in from the end. The locking nut prevents unintentional movement of the rail clip once tightened in place.



° Product Information

cable size

1/16" 1.5 mm
3/32" 2.5 mm

2-3

maximum weight

1/16": 65 lbs. 30 kg
3/32": 155 lbs. 70 kg

function

rail clip for VH2 rail

installation instructions

Push HJ1B rail clip up into rail, twist 90°, then tighten locknut to fix into place. Use w/ Ball Stop cable.

Arakawa Hanging Systems

2505 SE 11th Avenue, Suite 122
Portland, Oregon 97202
phone: 503.236.0440
fax: 503.236.0427
toll free: 888.272.5292

www.arakawagrip.com



Copyright © 2008 Arakawa & Co., Ltd. All rights reserved.
Arakawa products are covered by U.S. and foreign patents, issued and pending. Specification and price change privileges reserved.