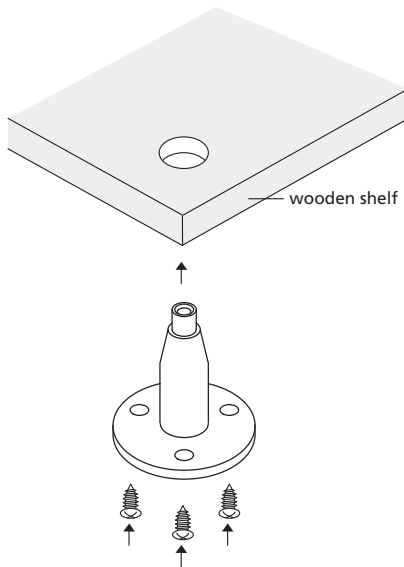
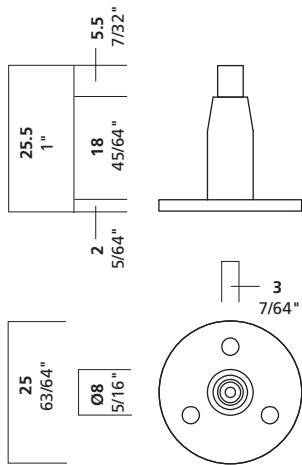


BS35SET



°BS35SET

BS35 is useful either as a ceiling fastener or a midway shelf holder. On the ceiling the base plate allows for 3 screws, and extra holding power. Under a shelf, the screws can fasten into up to 1/2" thick material.



° Product Information

cable size

3/64" 1.2 mm

1/16" 1.5 mm

1-2

maximum weight

3/64": 40 lbs. 18 kg

1/16": 65 lbs. 30 kg

function

ceiling: wood, blocking

midway: wood, plexiglass

installation instructions

To support wooden shelf, drill 11/32" Ø hole in shelf, insert from underneath, drive 3 screws (not included) into wood shelf.



Arakawa Hanging Systems

2505 SE 11th Avenue, Suite 122

Portland, Oregon 97202

phone: 503.236.0440

fax: 503.236.0427

toll free: 888.272.5292

www.arakawagrip.com

Copyright © 2007 Arakawa & Co., Ltd. All rights reserved. Arakawa products are covered by U.S. and foreign patents, issued and pending. Specification and price change privileges reserved.