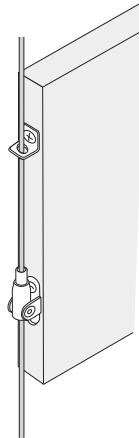
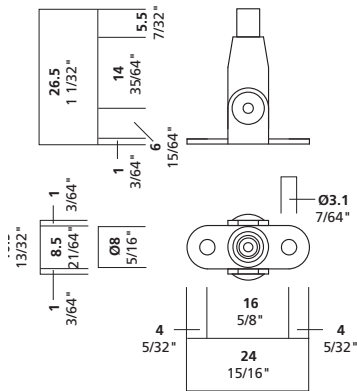


BS30



°BS30

BS30 was designed for use either on sloped surfaces, or (with the accompanying "L" bracket) on the sides of suspended panels. The Gripper swivels on the base a full 180 degrees, allowing for angled or even mobile designs.



° Product Information

cable size

3/64" 1.2 mm

1/16" 1.5 mm

1-2

maximum weight

3/64": 40 lbs. 18 kg

1/16": 65 lbs. 30 kg

function

ceiling: installations where movement is required, or sloped ceilings
 midway: (w/ L Guide) plexiglass, wood, metal

installation instructions

Screw to panel or wood. L-bracket installs on top of panel to guide cable, BS30 installs to bottom.

Arakawa Hanging Systems

2505 SE 11th Avenue, Suite 122

Portland, Oregon 97202

phone: 503.236.0440

fax: 503.236.0427

toll free: 888.272.5292

www.arakawagrip.com



Copyright © 2007 Arakawa & Co., Ltd. All rights reserved. Arakawa products are covered by U.S. and foreign patents, issued and pending. Specification and price change privileges reserved.