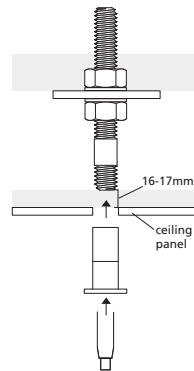
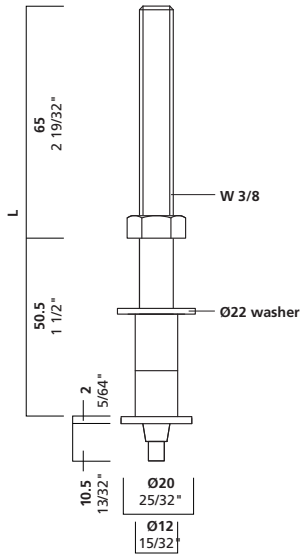


BS27



°BS27

BS27 is intended as a ceiling fastener, for use in suspended ceilings, attached either to the concrete structure or to Unistrut® or similar. Hollow structure allows excess cable to be inserted through part and into ceiling cavity (depending on structure).



° Product Information

cable size

3/64" 1.2 mm

1/16" 1.5 mm

1-2

maximum weight

3/64": 40 lbs. 18 kg

1/16": 65 lbs. 30 kg

function

ceiling: sheetrock, acoustical tile, and unistrut

installation instructions

Separate BS27 into 3 parts: bolt, flange and gripper. Fix the bolt to reinforcement material, fasten the flange to the bolt, and then screw in the gripper. Distance from surface of ceiling panel to bolt is 16-17mm.



call for availability

Arakawa Hanging Systems

2505 SE 11th Avenue, Suite 122

Portland, Oregon 97202

phone: 503.236.0440

fax: 503.236.0427

toll free: 888.272.5292

www.arakawagrip.com



Copyright © 2007 Arakawa & Co., Ltd. All rights reserved. Arakawa products are covered by U.S. and foreign patents, issued and pending. Specification and price change privileges reserved.