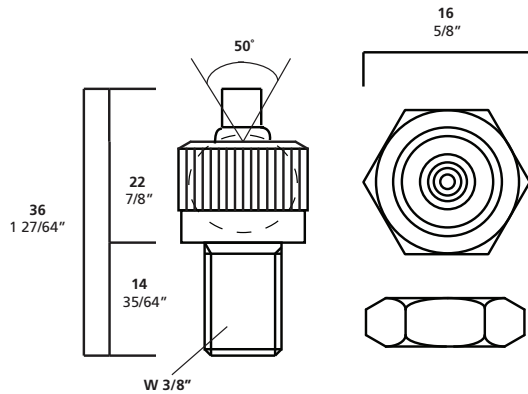


# BS26



## °BS26

BS26 is a low profile gripper specially designed for use where the cable can't hang perpendicular from the substrate (either ceiling or shelf, depending on use). The ball joint feature allows the user to hang cable from diagonal metal ceilings, or to create interesting angles for shelves or panels. The angle is limited to 25° off axis. The BS26 is completely hollow to allow for excess cable to pass through it.



## ° Product Information

### cable size

3/64" 1.2 mm

1/16" 1.5 mm

1-2

### maximum weight

3/64": 40 lbs. 18 kg

1/16": 65 lbs. 30 kg

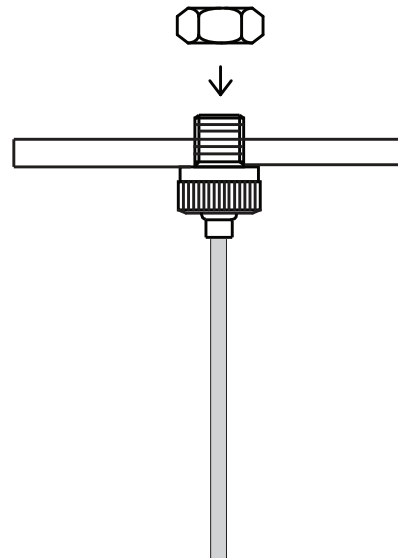
### function

ceiling; metal

midway: wood, plexiglass, metal

### installation instructions

Attach to tapped hole with 3/8"-16 thread or pass through 3/8" hole and attach nut on back side. Insert cable.



### Arakawa Hanging Systems

2505 SE 11th Avenue, Suite 122

Portland, Oregon 97202

phone: 503.236.0440

fax: 503.236.0427

toll free: 888.272.5292

[www.arakawagrip.com](http://www.arakawagrip.com)



Copyright © 2009 Arakawa & Co., Ltd. All rights reserved. Arakawa products are covered by U.S. and foreign patents, issued and pending. Specification and price change privileges reserved.