

## BS1R and BS32R

<b>Cable Size</b> 3/64" - 1/16" 1.2mm - 1.5mm
<b>Maximum Weight</b> 3/64": 40 lbs. 18 kg 1/16": 65 lbs. 30 kg
<b>Function</b> rail fitting for CRB and CRC rail
<b>BS1R</b> 



**Arakawa**  
HANGING SYSTEMS

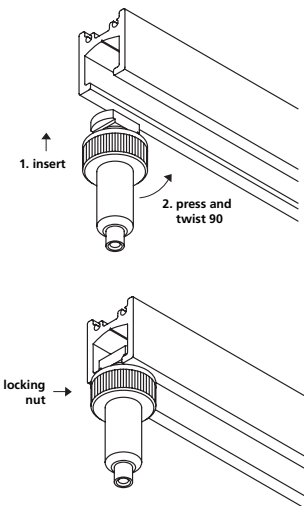
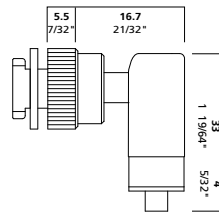
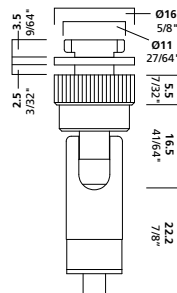
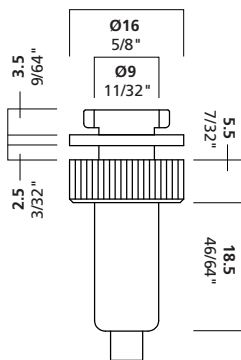
Arakawa Hanging Systems, Inc.  
 2505 SE 11th Ave, Suite 122  
 Portland, OR 97202  
 phone: 503.236.0440  
 fax: 503.236.0427  
 toll free: 888.272.5292  
[www.arakawagrip.com](http://www.arakawagrip.com)

BS1R is Arakawa's gripper-type, top connector rail clip available for hanging cable perpendicular to the CRB/CRC Rail system.

BS32R is Arakawa's top connecting rail clip for angling cable from the CRB/CRC Rail system.

### Installation

To install the BS1R / BS32R rail clips, align properly, insert into the rail, twist 90°, then tighten the locking nut. Cable must be inserted 1/2" - 3/4". Make sure all rail clips are completely tightened. Failure to do so will weaken the system.



Copyright © 2012 Arakawa & Co., Ltd. All rights reserved. Arakawa products are covered by U.S. and foreign patents, issued and pending. Specification and price change privileges reserved.