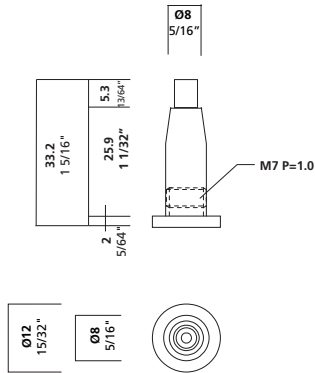


BS16SET



°BS16SET

The BS16 Gripper is a miniature version of the versatile SF16 Gripper. Use the BS16 as a mid-way support for wood shelves, pipes/rods, or display boxes (drill 11/32" Ø hole).



° Product Information

cable size

3/64" 1.2 mm

1/16" 1.5 mm

1-2

maximum weight

3/64": 40 lbs. 18 kg

1/16": 65 lbs. 30 kg

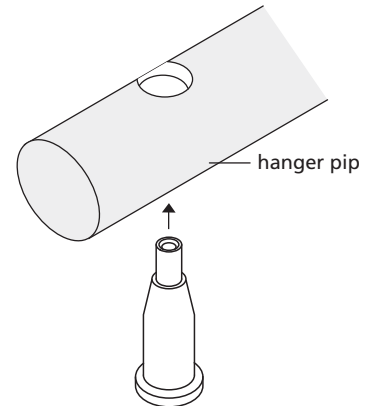
function

midway: shelves, pipe hanger

installation instructions

For hangrod (max. diameter is 5/8"), drill 11/32" Ø hole in hangrod, insert from bottom as shown. Can also support shelf by mounting from underneath, through 11/32" Ø hole.

For shelf, unscrew the body of BS16S from the bottom bushing. Fix bushing with screw (not included) to wood shelf. Screw body back onto bushing.



Arakawa Hanging Systems

2505 SE 11th Avenue, Suite 122

Portland, Oregon 97202

phone: 503.236.0440

fax: 503.236.0427

toll free: 888.272.5292

www.arakawagrip.com

Copyright © 2007 Arakawa & Co., Ltd. All rights reserved. Arakawa products are covered by U.S. and foreign patents, issued and pending. Specification and price change privileges reserved.

